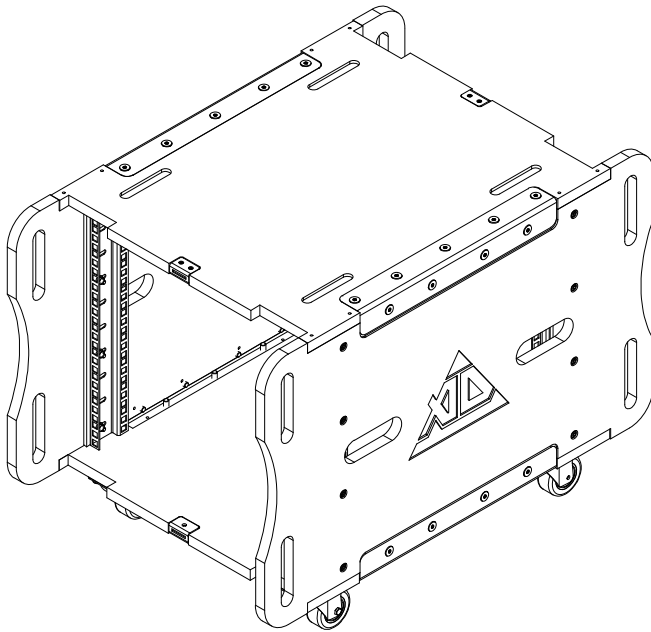
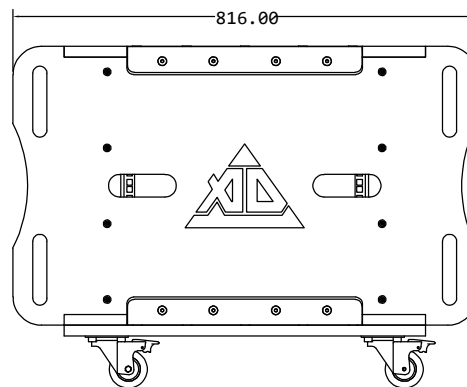
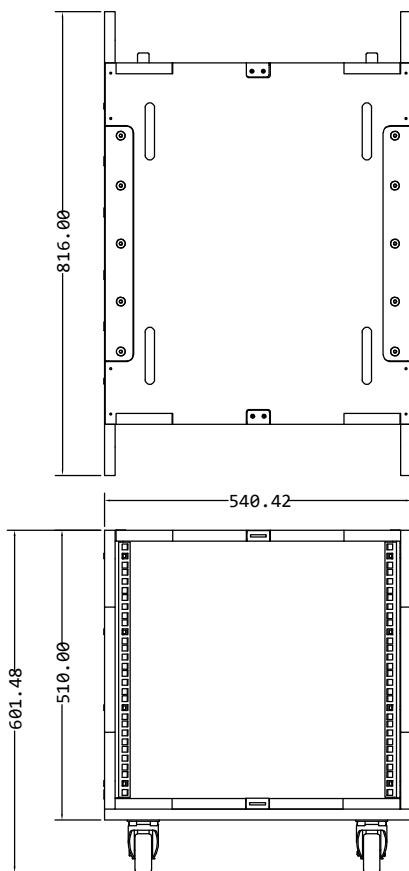


# ER10UX2 - 10U Equipment rack

PART CODE ID: ER10U042019V1.0



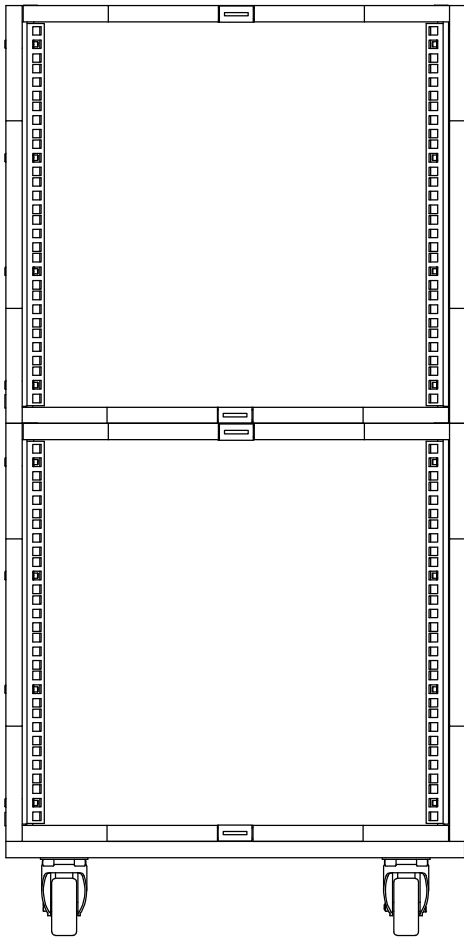
- Accepts 10U of professional AV gear
- Standard rack size of 19 inches
- Manufactured from 19mm marine plywood
- 12 carrying handles
- Rubber skids for stacking capabilities
- Dolly covers on request
- Fitted with standard rack hardware
- Black acrylic water based textured spray paint
- Fitted with lockable castors
- Rain hood available
- Dimensions : H x W x D : 491mm x 816mm x 541mm



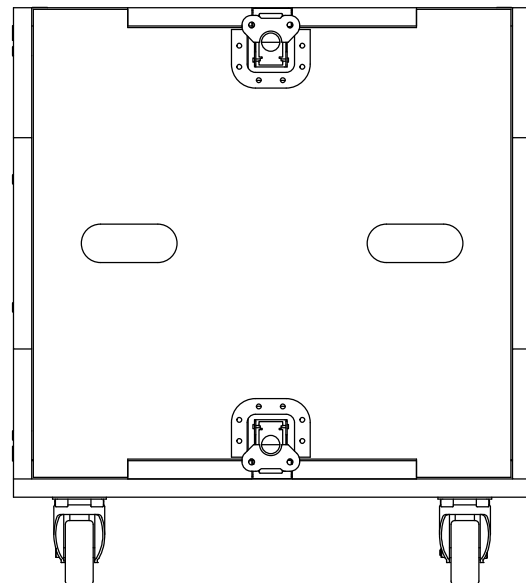
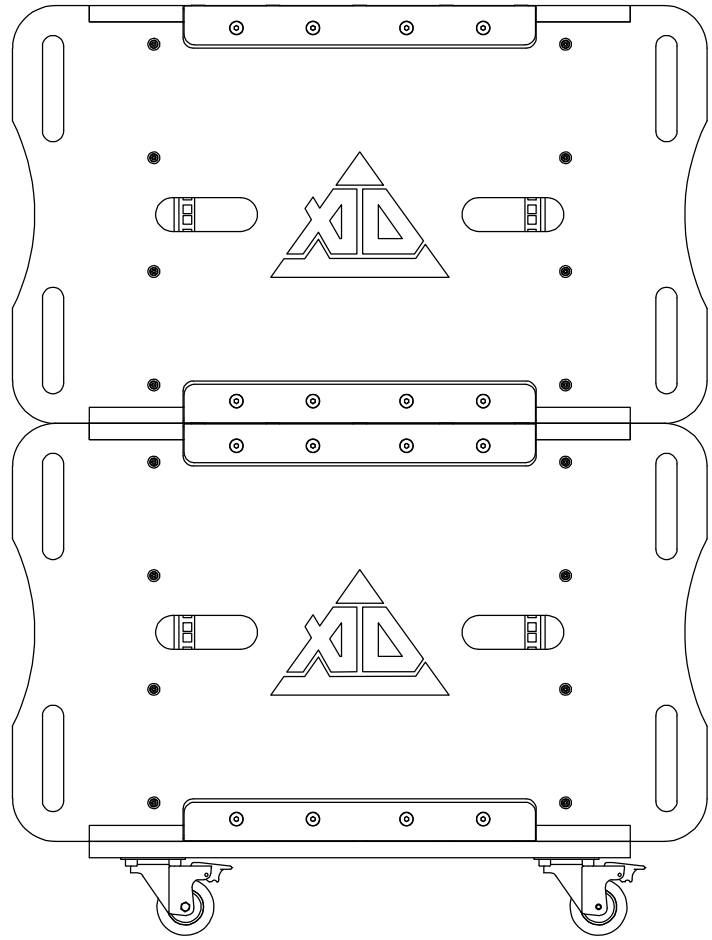
ANCILLARY DEVICES,  
No 33, Katha no 270/1, Kanagiri main road, Hormavu agra, Bangalore - 560043, INDIA  
[www.ancillarydevices.in](http://www.ancillarydevices.in)

# ER10UX2 - 10U Equipment rack

PART CODE ID: ER10U042019V1.0



Racks - Stacked



Rack - With protective dolly covers



ANCILLARY DEVICES,  
No 33, Katha no 270/1, Kanagiri main road, Hormavu agra, Bangalore - 560043, INDIA  
[www.ancillarydevices.in](http://www.ancillarydevices.in)